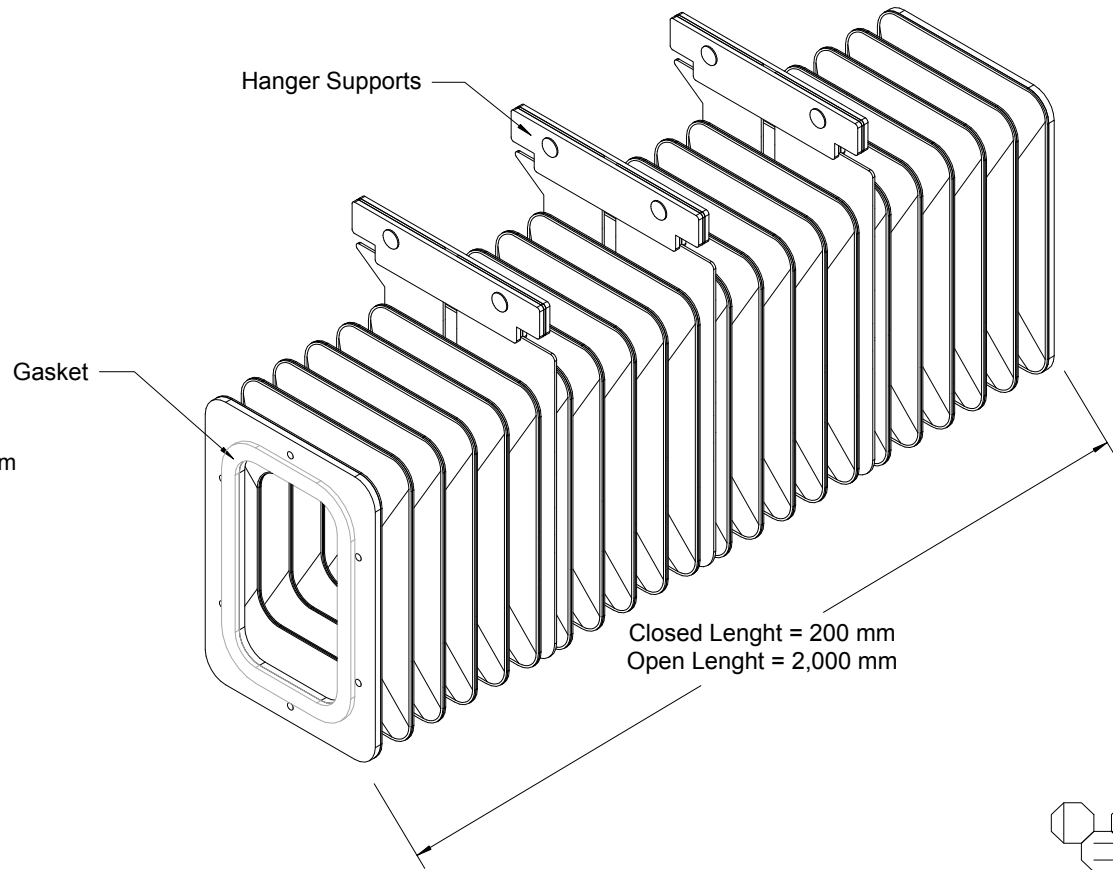
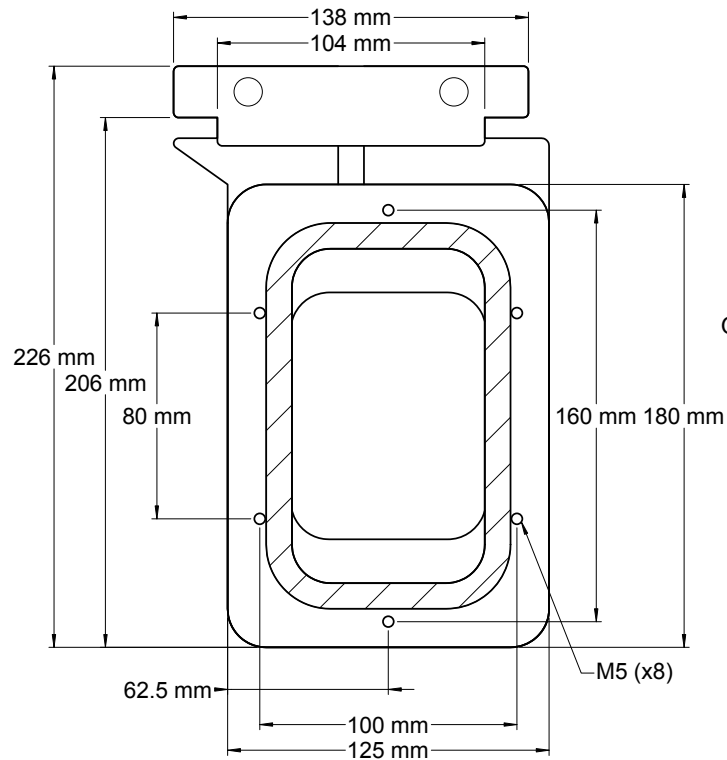



NO.	RBT251/353BY
SUPSDS.	

QTY	PRODUCT	NEXT ASSY. DWG.	NO.	DESCRIPTION OF CHANGE	SCO	DATE	BY
			0	NEW ISSUE		05/30/19	DSE



<u>TOLERANCES UNLESS OTHERWISE SPECIFIED</u>			
FRACTIONS $\pm 1/64$		DECIMALS: .X $\pm .1$.XXX $\pm .005$	
ANGLES $\pm 1/2^\circ$.XX $\pm .0000$ $\pm .001$	
DO NOT SCALE DRAWING			
DRAWN	DSE	SCALE	NTS
ENG. MGR.		ENG. CHKD.	
ENG. MGR.		PRODN. APPD.	
MAT'L			
MAT'L SPEC. NO.			
FINISH		PROD.	

THIS DOCUMENT IS THE PROPERTY OF RICHARDSON ELECTRONICS, LTD. AND SHALL NOT BE COPIED, REPRODUCED, USED IN THE MANUFACTURE OR SALE OF APPARATUS OR DISCLOSED TO OTHERS WITHOUT PERMISSION.

 Richardson Electronics, Ltd.

**Y - BEAM BELLOWS
REPLACES TRUMPF
P/N 0362271**

NO. RBT251/353BY

REV. 0